



GENERAL

- At the time of manufacture, siding meets or exceeds the performance standards set forth in ICC-ES-AC321 and has achieved code recognition under ESR-1301, CCNC 11826, APA recognition under PR-N124, and HUD recognition under HUD-MR-1318. For copies of ESR-1301, call LP Customer Support at 1-800-648-6893 or go online at http://www.ice-es.org/reports/pdf_files/ICC-ES/ESR-1301.pdf or <http://www.apawood.org>.
- Minimum 6 in. clearance must be maintained between siding and finish grade.
- Siding applied adjacent to porches, patios, walks, etc. must have a clearance of at least 1 in. above any surface.
- Minimum 1 in. clearance at intersection with roof line
- Apply siding in a manner that prevents moisture intrusion and water buildup.
- All exposed wood substrate must be sealed in a manner that prevents moisture intrusion and water buildup.
- See alternate fastening options for fastening lap siding to SIP, ICF and Steel Frame assemblies.
- DO NOT USE STAPLES
- SIDING MUST NOT BE IN DIRECT CONTACT WITH MASONRY, CONCRETE, BRICK, STONE, STUCCO OR MORTAR.

STORAGE

- Store off the ground well supported, on a flat surface, under a roof or separate waterproof covering
- Keep siding clean and dry. Inspect prior to application.

STUD SPACING

- Precision 38 Series lap may be installed on studs spaced a maximum of 16 in. O.C. See alternate fastening option for fastening 38 series 6 in. and 8 in. lap on studs spaced a maximum of 24 in. O.C.
- Precision 76 Series lap may be installed on studs spaced a maximum of 24 in. O.C.
- In all installations over masonry or concrete walls, the wall shall be furred out and open at the top and bottom of the wall to allow for convective ventilation between framing spaced 16 in. O.C. The framing shall be of adequate thickness to accept 1-1/2 inches of nail penetration. A properly installed breathable water-resistant barrier is required between the siding and masonry or concrete walls.

MOISTURE

- Moisture control and moisture vapor control are critical elements of proper housing design. Check your local building codes for application procedures for handling moisture and water vapor in your area.
- When using wet blown cellulose insulation, the insulation must not be in direct contact with the siding and it must be allowed to dry a minimum of 24 hours or longer if specified by the insulation manufacturer.
- As with all wood products, do not apply engineered wood siding to a structure having excessive moisture conditions such as drying concrete, plaster or wet blown cellulose insulation. If such conditions exist, the building should be well ventilated to allow it to dry prior to the application of the siding.
- Siding must not be applied to green or crooked structural framing members. Do not apply siding over rain-soaked or buckled sheathing materials.
- Gutters are recommended for control of roof water run off.

SECONDARY WATER-RESISTANT BARRIER

- A properly installed breathable water-resistive barrier is required behind the siding. Consult your local building code for details.
- LP will assume no responsibility for water penetration.

GAPS & SEALANTS

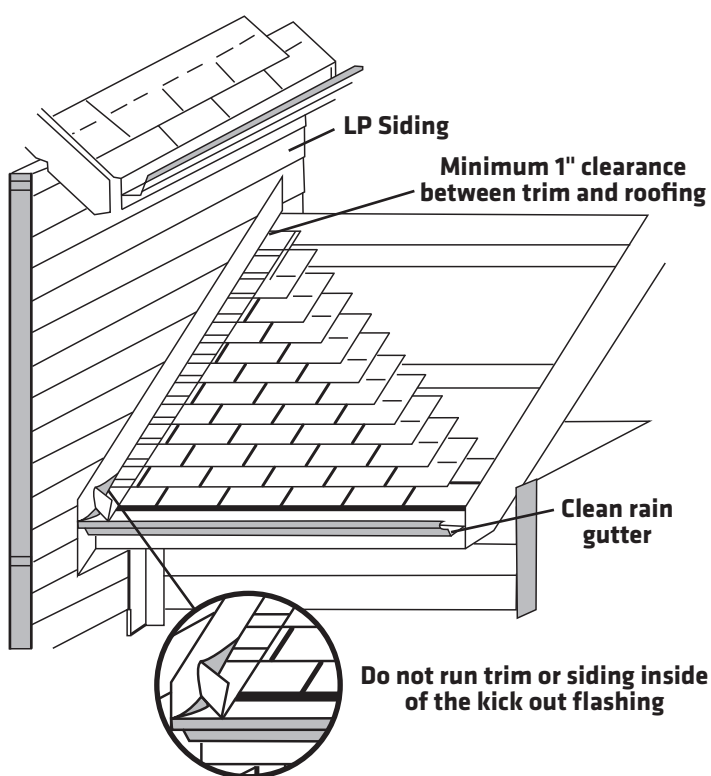
- Seal all gaps with a high-quality, non-hardening, paintable sealant. Follow the sealant manufacturer's instructions for application.
- Use a high-quality exterior sealant meeting the ASTM C920, minimum Class 25 sealant.

FLASHING, WINDOWS, DOORS & OPENINGS

- All openings must be properly sealed or flashed in a manner that prevents moisture intrusion or buildup. Several examples that accomplish this are shown on the following pages.

KICK-OUT FLASHING

- Install kick-out flashing to direct the water into the gutter
- Install step flashing with minimum 4 in. upper leg
- Properly integrate flashing with the secondary water-resistive barrier. Use housewrap, flashing tape, z-flashing, or other items as needed to maintain the counterflashing principle.
- DO NOT extend the siding or trim into the kick-out flashing or gutter
- Maintain a clearance between the end of the gutter and the adjoining wall to allow for proper maintenance of the siding
- Prime and paint ALL exposed cut edges



TRIM

Trim should be thick enough so the siding does not extend beyond the face of the trim.

- Trim and fascia must be applied in a manner that will not allow moisture intrusion or water buildup.
- LP® SmartSide® siding is not designed and/or manufactured to be used as trim or fascia. LP SmartSide trim and fascia are available in a variety of dimensions.
- LP SmartSide lap siding is not designed and/or manufactured to be installed vertically.

FINISHING INSTRUCTIONS

DO

- **Prime and paint all exposed surfaces including all drip edges or where water will hang.**
- Apply finish coat as soon as possible or within 180 days of application.
- High-quality acrylic latex paint, specially formulated for use on wood and engineered wood substrates, is highly recommended. Semi-gloss or satin finish oil or alkyd paints are acceptable. For flat alkyd paint, please check with the coating manufacturer for their recommendations for use on composite wood siding.
- Follow the coating manufacturer's application and maintenance instructions.

DO NOT USE

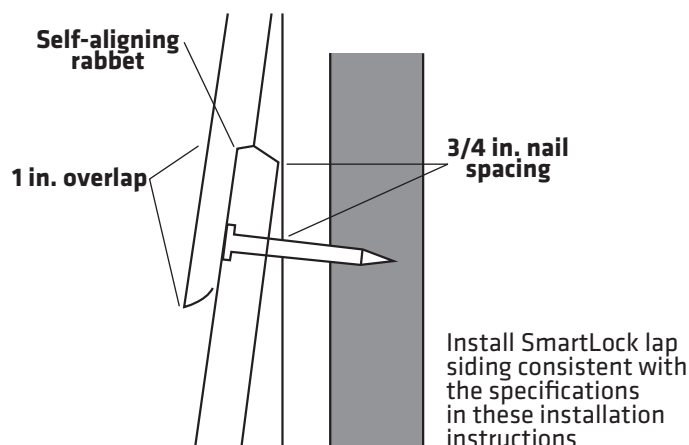
- Semi-transparent and transparent stains.
- Shake and shingle paints.
- Vinyl-based resin formulas such as vinyl acetate, PVA, vinyl acetate/acrylic copolymer paints.

HANDLE PREFINISHED LP SMARTSIDE PRODUCTS WITH EXTREME CARE DURING STORAGE AND APPLICATION. TOUCH UP ANY DAMAGE TO THE FINISH THAT MAY OCCUR DURING APPLICATION PER PREFINISHERS SPECIFICATIONS.











NAILING INSTRUCTIONS

- LP SmartSide 76 Series lap siding may be attached directly to framing members spaced up to a maximum of 24 in. O.C.
- LP SmartSide 38 Series lap siding may be attached directly to framing members that are spaced up to a maximum of 16 in. O.C.
- Check your local building code before starting to install the siding to confirm if wall sheathing is required.
- Siding joints should be staggered over successive courses. For installation with or without wood structural panels, joints must occur over stud locations.
- Siding shall be installed with top (blind) nailing, with the nails placed 3/8 in. from either end and a minimum of 3/4 in. from the top edge of the board. Fasteners will be exposed on siding located immediately below window sills, fascia boards, and horizontal trim. Fasteners below window sill shall be spaced a maximum of 8 in. O.C.
- Overlap successive courses of siding a minimum of 1 in.

SmartLock Overlap & Blind Fastening



APPLICATION INSTRUCTIONS (CONT.)

CONDITION		CORRECTION	
Snug		OK	
Flush		OK	
Visible fiber		Paint	
Countersunk 1/16-1/8 IN.		Apply sealant	
Countersunk more than 1/8 in.		Apply sealant and re-nail	

- Use minimum 8d (0.113 in. shank diameter), hot-dipped galvanized nail with a 0.297 in. diameter head.
- All exposed face nails must be caulked and sealed in a manner that prevents moisture intrusion and water buildup.
- Penetrate structural framing or wood structural panels and structural framing a minimum of 1-1/2 in.
- Nail from the center of the siding toward the ends, or from one end to the other end. NEVER nail from the ends of the siding toward the middle.
- Shim siding at studs as needed, to avoid drawing siding against uneven walls. Do not overdrive nails. Nail head should seat firmly to face of siding but not be overdriven to distort the siding surface.
- For information on fastening LP SmartSide products in high wind speed areas, refer to ICC-ES Report ESR-1301 or APA PR-N124.

Alternative Fastening Option for (strand) over Wood Structural Panels and 24 in. O.C. Stud Spacing

- Limited to 6 in. and 8 in. wide lap siding.
- Wood structural panels must be a minimum 7/16 Category with an APA Trademark that contains the consensus Standard DOC PS 2.
- 38 Series Precision lap must be fastened with:
 - Minimum #8 hot dip galvanized tapered head wood screw with a 0.270 in. diameter head, spaced a maximum of 12 in. O.C. with 1-1/2 in. screw penetration into each stud or...
 - Minimum 6d (0.091 in. shank diameter) hot dip galvanized ring shank nail with a 0.200 in. diameter head, spaced a maximum of 8 in. O.C. with 1-1/2 in. nail penetration into each stud.

Alternative Fastening Options over SIP Assemblies

- Wood structural panels must be a minimum 7/16 Category with an APA Trademark that contains the consensus standard DOC PS 2.
- 38 Series Precision lap must be fastened with:
 - Minimum #8 hot dip galvanized tapered head wood screw with a 0.270 in. diameter head, spaced a maximum of 12 in. O.C. or...
 - Minimum 6d (0.091 in. shank diameter) hot dip galvanized ring shank nail with a 0.200 in. diameter head, spaced a maximum of 8 in. O.C.
- 76 Series Precision lap must be fastened with:
 - Minimum #8 hot dip galvanized tapered head wood screw with a 0.270 in. diameter head, spaced a maximum of 16 in. O.C. or...

- Minimum 6d (0.091 in. shank diameter) hot dip galvanized ring shank nail with a 0.200 in. diameter head, spaced a maximum of 12 in. O.C.

Alternative Fastening Option over ICF Assemblies

- 38 and 76 Series Precision lap must be fastened with:
 - Minimum #8 hot dip galvanized tapered head self-drilling screw with a 0.270 in. diameter head.
 - Minimum penetration of 3/8 in. beyond the thickness of the nailing flange.
 - Larger screws may be required by the ICF Manufacturer based on the following minimum withdrawal requirements.
- Minimum withdrawal value of the ICF nailing flange must be 50 lbs. with a maximum 12 in. O.C. screw spacing.
- Minimum withdrawal value of the ICF nailing flange must be 31 lbs. with a maximum 6 in. O.C. screw spacing.

Alternative Fastening Options over Corrosion Resistant Steel Stud Framing

- Minimum withdrawal value of the steel framing must be 50 lbs. Refer to the framing manufacturer's evaluation report.
- 38 Series Precision lap must be fastened with:
 - Steel stud spacing a maximum spacing of 16 in. O.C.
 - Minimum #8 hot dip galvanized tapered head self-drilling screw with 0.270 in. diameter head.
 - Minimum of 5 threads beyond the combined thickness of the siding and framing
 - Minimum steel framing thickness 0.032 in. or 20 gauge.
- 76 Series Precision lap must be fastened with:
 - Steel stud spacing a maximum spacing of 24 in. O.C.
 - Minimum #8 hot dip galvanized tapered head self-drilling screw with a 0.270 in. diameter head.
 - Minimum of 5 threads beyond the combined thickness of the siding and framing.
 - Minimum steel framing thickness 0.032 in. or 20 gauge.

CAUTION

- Do not force siding into place.
- DO NOT USE STAPLES.
- Climb cut the surface of the siding such that the rotation of the blade cuts downward on the primed or prefinished surface.
- Where siding butts window trim, door casings and masonry, etc. leave a 3/16 in. gap and seal.

Insulated Sheathings

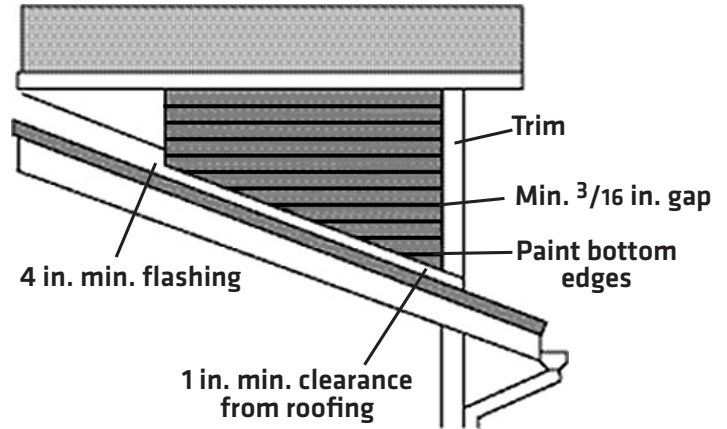
LP SmartSide Siding may be installed over low-compression rigid foam or exterior gypsum. The following precautions must be followed:

- Adequate bracing of the wall in accordance with the International Codes or other ruling building code is required.
- For rigid foam sheathing up to 1 in. (25.4 mm) thick, siding may be nailed directly to the foam sheathing unless a drainage

APPLICATION INSTRUCTIONS (CONT.)

1 IN. ROOF & CHIMNEY CLEARANCE

Figure 4



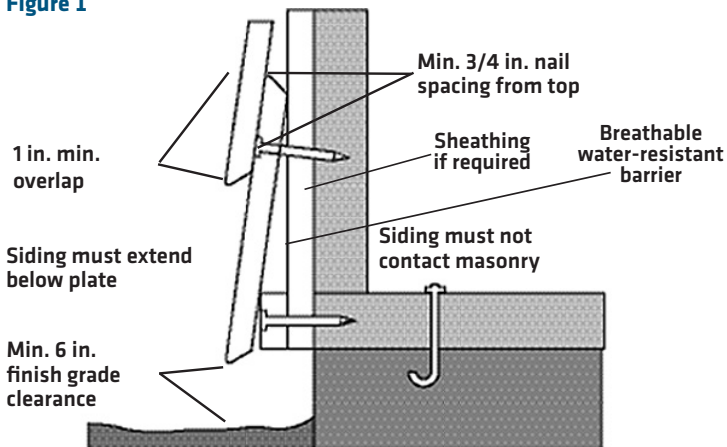
plane is required by the local building code. Nail length must be increased to ensure a minimum 1-1/2 in. (38.1 mm) fastener penetration into the structural framing.

- For rigid foam sheathing greater than 1 in. (25.4 mm), a minimum 1-1/2 in. (38.1 mm) thick by 3-1/2 in. (88.9 mm) wide vertical strapping or furring strip must be installed over the sheathing to provide a solid, level nailing base for the siding. The strapping must be securely fastened to structural framing spaced no greater than 16 in. O.C. (406 mm) with a minimum nail penetration of 1-1/2 in. (38.1 mm) and a maximum nail spacing no greater than the width of the siding.

Louisiana-Pacific will assume no responsibility for any damage or condition arising from the use of rigid foam or exterior gypsum.

OVERLAP, CLEARANCE & NAILING SPACE

Figure 1



LP Precision Lap siding may also be installed in compliance with category 8140- Exterior wall siding and sheathing for Wildland Urban Interface (WUI) applications atop LP FlameBlock sheathing. Refer to FlameBlock installation instructions and product data sheets. All LP lap sidings (both Foundations and Precision) may be installed as exterior siding in Wildland Urban Interface (WUI) applications installed over one layer 5/8" Type X gypsum sheathing applied behind the exterior covering or cladding on the exterior side of the framing. They may also be installed over the exterior portion of a 1-hour fire-resistive exterior wall assembly designed for exterior fire exposure including assemblies using the gypsum panel and sheathing products listed in the Gypsum Association Fire Resistance Design Manual.

The Louisiana-Pacific Corporation ("LP") LP SmartSide Siding (the "Products") limited warranty (the "Warranty") applies only to structures on which the Products have been applied, finished and maintained in accordance with the published application, finishing and maintenance instructions in effect at the time of application. The failure to follow such application, finishing or maintenance instructions will void the Warranty as to the portion of the Products affected by the variance (the "Affected Products").

LP assumes no liability for any loss or damage sustained by the Affected Products and is expressly released by the purchaser or owner from any such loss or liability.

Any modification of the Warranty's application, finishing or maintenance requirements is void and unenforceable unless approved in writing prior to application by the siding general manager or his designee and a member of the LP Legal Department.

For a copy of the warranty or for installation and technical support, visit the LP SmartSide product support Web site at:

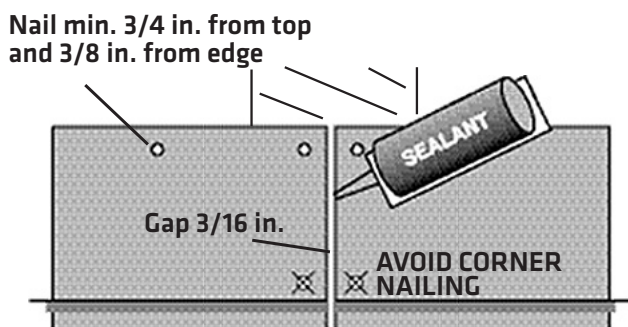
www.lpsmartside.com

or for additional support call 800-450-6106.

WARRANTY REMEDIES ARE NOT AVAILABLE IF REQUIREMENTS ARE NOT FOLLOWED.

BUTT JOINTS

Figure 2



- Joints must occur over studs.
- A minimum 3/16 in. gap is required at ALL butt joints.
- If joint caulking option is selected, seal all gaps at butt joints with a high-quality exterior sealant meeting the ASTM C920, minimum Class 25 sealant.
- If joint moulding option is selected, add the thickness of the web to the gap allowing a net 3/16 in. space for expansion.
- If siding is prefinished by an approved or preferred prefinisher it does not require sealant or joint moulding when backed with minimum 4 in. wide flashing and the ends of the siding are factory finished.

Cal. Prop 65 Warning: Use of this product may result in exposure to wood dust, known to the State of California to cause cancer.



©2014 Louisiana-Pacific Corporation. All rights reserved. LP and SmartSide are registered trademarks of Louisiana-Pacific Corporation. Printed in U.S.A.

NOTE: Louisiana-Pacific Corporation periodically updates and revises its product information. To verify that this version is current, call 800-450-6106.

Figure 3

Over Openings

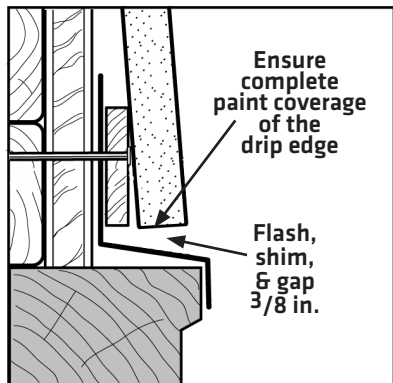


Figure 3A

Alternate Butt Joint Treatments

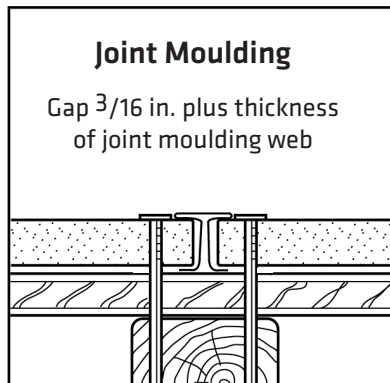


Figure 3B

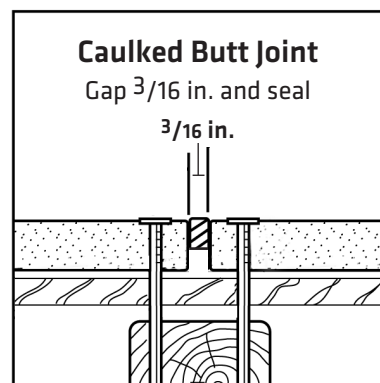


Figure 3C

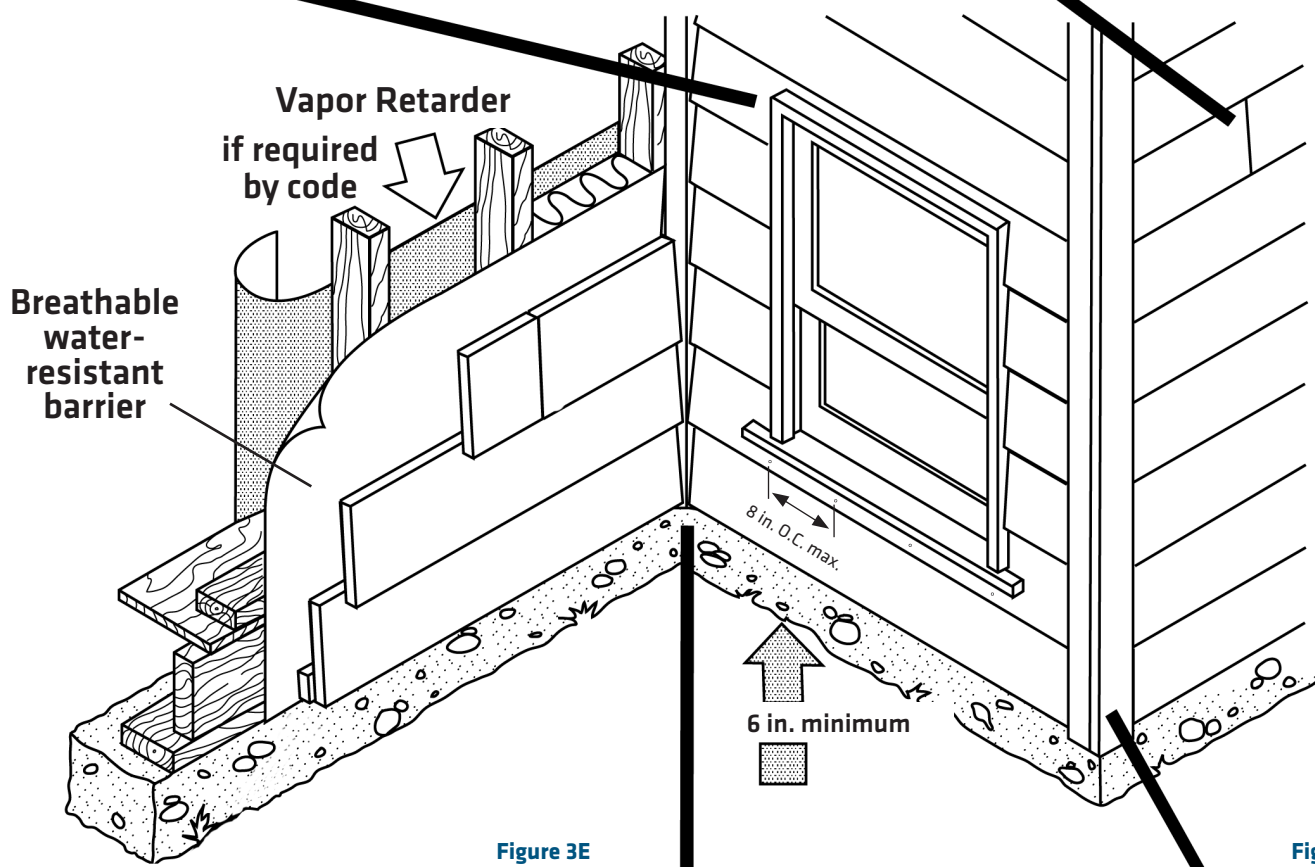
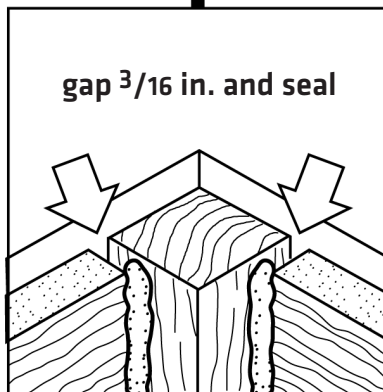
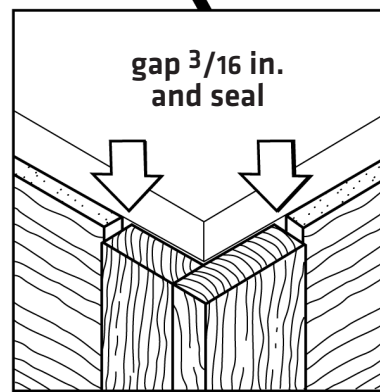


Figure 3E

Figure 3D



Inside Corner Detail



Outside Corner Detail